



COMING SOON



T-LINE SAFETY SYSTEM



- FA 60 039 12
- FA 60 039 12S
- FA 60 039 24
- FA 60 039 24S

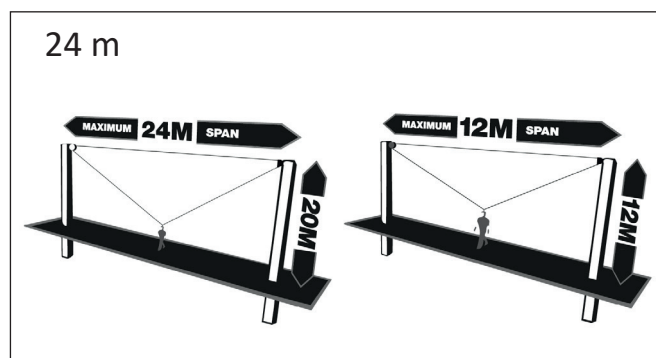
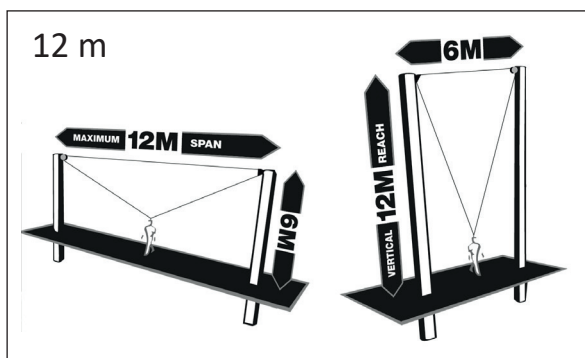


- FA 60 039 12W
- FA 60 039 12WS
- FA 60 039 24W
- FA 60 039 24WS

INTEGRATED RESCUE SYSTEM

OPTION

FA 60 039 01



REF.	FA 60 039 12 FA 60 039 12S	FA 60 039 12W FA 60 039 12WS	FA 60 039 24 FA 60 039 24S	FA 60 039 24W FA 60 039 24WS
	EN 360	EN 360 EN 1496 Class A	EN 360	EN 360 EN 1496 Class A
	x1		x1	
MAT.	PA / FA 60 039 12 FA 60 039 12S Ø 4.5 mm	PA / FA 60 039 12W FA 60 039 12WS Ø 4.5 mm	PA / FA 60 039 24 FA 60 039 24S Ø 4.5 mm	PA / FA 60 039 24W FA 60 039 24WS Ø 4.5 mm
R (kN) / MBS (kN)	12 kN / 17 kN		12 kN / 17 kN	
MAT.	FA 60 039 12 FA 60 039 12S	FA 60 039 12W FA 60 039 12WS	FA 60 039 24 FA 60 039 24S	FA 60 039 24W FA 60 039 24WS
DIM.	↔ 12 m ↑ 6 m / ↔ 6 m ↑ 12 m		↔ 24 m ↑ 20 m / ↔ 12 m ↑ 12 m	
ARREST DISTANCE	1.80 m		1.80 m	
+	Reduced arrest distance Horizontal & vertical movement		Reduced arrest distance Horizontal & vertical movement	
	18.13 KG	20.10 KG	19.53 KG	21.50 KG
	18.13 KG	20.10 KG	19.53 KG	21.50 KG